

# EMIS-MAIL

## IED DETECTOR FOR LETTER & PARCEL INSPECTION

NSN: 6665150105807



### ALLOWED PARCEL



### ALARM SIGNALLING



- Automatic inspection of parcels and letters up to 45 cm in width and 7.5 cm thickness
- Detection of detonators, batteries, trigger circuits and other metal components of parcel bombs
- No alarm on metal staples, paper-clips and metal binding spirals
- Confirmation of signal (OK/ALARM) for each package inspected
- Ergonomic, compact design
- Operates on the mains power supply and with built-in NiMH rechargeable batteries
- Integrated battery charger
- No calibration or periodic maintenance required
- Optional embedded detector of radioactive materials



[www.ceia.net](http://www.ceia.net)

**Threat Detection through Electromagnetics**

CEIA reserves the right to make changes, at any moment and without notice, to the models (including programming), their accessories and options, to the prices and conditions of sale

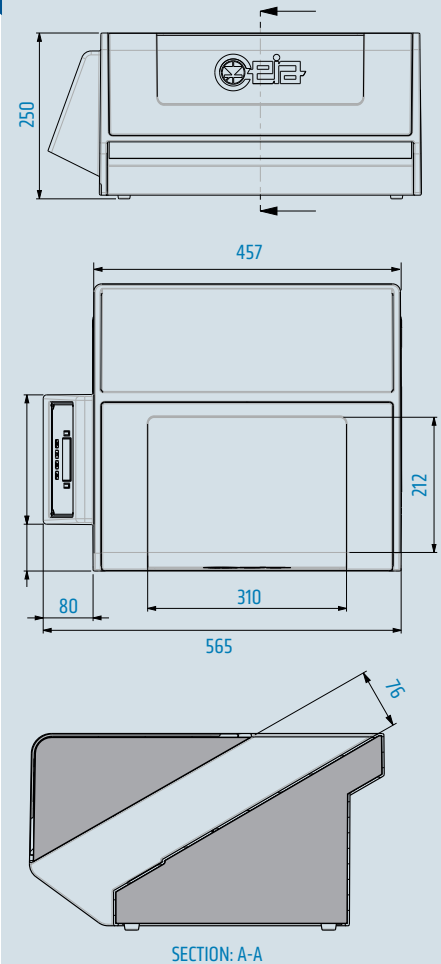


## Specifications

<b>GENERAL CHARACTERISTICS</b>	High inspection speed		
	No alarm on metal staples, paper-clips and metal binding spirals		
	Digital programming with high-resolution OLED graphic display		
	Optical and acoustic alarm signaling		
	Integrated autodiagnosis system		
	Permanent memory storage of operating parameters without back-up batteries		
	Independent operation, with mains power supply or incorporated batteries		
	Specific Settings available for Prison parcels inspection (Dept. of Justice requirements)		
Compliant with NIJ-0602.02 Dept. of Justice Detection requirements			
<b>STRUCTURE</b>	Transit opening	450 mm x 75 mm	
	Degree of protection	IP40	
<b>WEIGHT</b>	16 kg		
<b>POWER SUPPLY</b>	Voltage	100-240 V~ single-phase – 50/60 Hz with external AC/DC adapter	
	Current	1.07 A max	
	Battery operation	6 x 1.2V NiMH size D incorporated	
		Battery life: 12 hours (8 hours with IXC module)	
		Battery-charger incorporated: Recharging time 6 hours	
<b>PROGRAMMING</b>	Type	Local: via integrated keypad	
		Remote: via Bluetooth, RS232	
	Data Logger Memory capacity	10.000 events	
<b>SIGNALLING</b>	Acoustic	Internal buzzer	
	Optical	High-contrast OLED graphic display with bar-graph indication	
		LED indicators on the control panel	RED: Alarm, Autodiagnosis
			GREEN: OK, Power supply
BLUE: Alarm, detection of radioactive substances			
<b>SECURITY/SAFETY</b>	Access to programming protected by password		
	Insulation from mains voltage		
<b>COMMUNICATION</b>	Incorporated Bluetooth (FCC ID: Q0QWT12 - IC:5123A-BGTWT12A) interface, RS232		
<b>ENVIRONMENTAL DATA</b>	Temperature	Operating	-10 to +50 °C
		Storage	-25 to +60 °C
	Relative humidity	5 to 90 %, without condensation	
<b>CONFORMITY*</b>	Safety	UL61010-1 Safety requirements for electrical equipment for measurement, control and laboratory use - Part 1: General requirements	
		EMC	EN61000-6-1:2007 Electromagnetic Compatibility (EMC) – Part 6-1: Generic standards – Immunity for residential, commercial and light-industrial environments
*Test Reports available upon request		European Directive 2004/108/CE	

NATO STOCK NUMBER 6665150105807

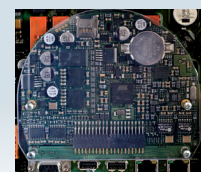
## Dimensions (mm)



## Options

**RADIATION DETECTION MODULE** (Part # 67197)  
for detection of radioactive materials.  
Analysis time: 5 seconds

**IXC MODULE** (Part # 66751)



- Integrated Web-server
- 100base-T Ethernet
- Full Speed USB interface
- Wi-Fi 802.11b/g



Zona Industriale 54/G, 52041 Vicinomaglio - Arezzo (ITALY)  
Tel.: +39 0575 4181 Fax: +39 0575 418298 E-mail: infosecurity@ceia-spa.com