

Scan-X Checkpoint 6040D

X-Ray Inspection System



www.scanxsecurity.com

Introduction

Scan-X CX6040D X-ray Inspection System, our new generation product of dual view dual-energy X-ray inspection machine for inspection of hand-held baggage, small checked luggage and parcels.

CX6040D employs dual view design, images of each view will be shown on a dedicated monitor, thus dangerous objects and contrabands hidden beneath overlapping area are more likely to be found and located. It stands out with more modern and ergonomic design for efficient and professional X-ray screening. With the tunnel dimensions of 606mm width and 420mm height, it is perfectly suitable for baggage inspection in airports, railway stations, customs, ports and stadiums, etc.

CX6040D combined with unsurpassed operation ergonomics, reliability and safety can provide excellent image quality and advanced material classification. CX6040D offers explosive and drug auto detection as optional.

Highlights

- Based on dual-view advanced technology meeting high level security and operational effectiveness demands
- High image quality with wire resolution of 38AWG and steel penetration of 34mm steel
- X-ray leakage around the equipment is close to the natural background level, which meets all published international health and safety standards
- Automatic detection and alarm of explosives and drugs
- Support stepwise, continuous and local zoom functions to enlarge the scanning images in flexible and quick ways.
- Images can be saved as general image format, e.g. BMP, JPG and PNG, and be transferred to USB storage devices
- Ergonomic keyboard and user interface design ensure efficiency and professionalism of the X-ray screening operation
- Modular design and construction combined with full built-in diagnostic facility guarantee the efficiency of equipment maintenance



Scan-X Security Limited

Unit 1, Westgate Trading Estate, Westgate, Aldridge WS9 8EX.

T: 01922 455 222 F: 0121 275 6048 E: sales@scanxsecurity.com www.scanxsecurity.com

Scan-X Checkpoint 6040D X-Ray Inspection System



Specification

Tunnel Size	606mm (W) x 420mm (H)
Conveyor Speed	0.20m/s
Conveyor Height	680mm
Max. Load	160Kg

Image Performance

Wire Resolution	38AWG
Steel Penetration	34mm
Display Resolution	1280 x 1024

Image Processing System

Image Enhancement	<ul style="list-style-type: none"> Color / Black & White Negative High / low penetration Organic / inorganic stripping 	<ul style="list-style-type: none"> General enhancement Multi-absorptivity and suspect material enhancement, etc.
Material Classification	<ul style="list-style-type: none"> According to atomic number signatures 	
ROI & Zoom	<ul style="list-style-type: none"> Step/stepless zoom, up to 32 times enlargement 	
Image Recall	<ul style="list-style-type: none"> Preceding images recallable 	
Image Storage Capability	<ul style="list-style-type: none"> Up to 50,000 	

Miscellaneous Functions

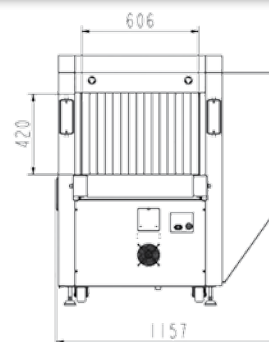
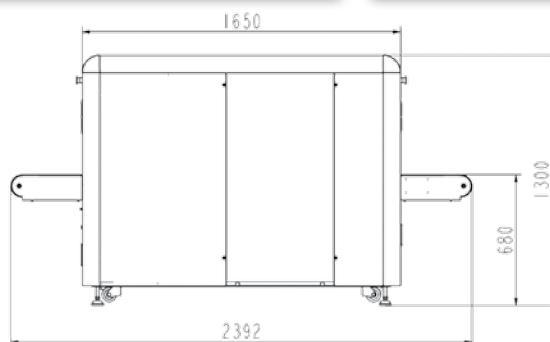
Standard Functions	<ul style="list-style-type: none"> Time/date display Counters User management System-on / X-ray-on Timers 	<ul style="list-style-type: none"> Power on self test Built-in diagnostic facilities Dual-direction scanning System log System standby and training, etc.
Optional Functions	<ul style="list-style-type: none"> Explosives/narcotics detections, high-density area alert 	

Health and Safety

X-Ray Leakage	Less than 1 μ Gy / h (5cm from the housing), complying with all published international standards
Film Safety	Guaranteed for high speed film up to ASA/ISO1600 (33DIN)

Installation Data

Dimensions	2392(L) x 1157mm(W) x 1300mm(H)
Weight	820kg
Operating Temperature / Humidity	0°C +40°C / 5% ~ 95% (non-condensing)
Power Supply	220VAC/110VAC (-15%~ +10%), 50 Hz/60Hz \pm 3Hz
Power Consumption	0.9kVA



Note: The appearance and specifications are subject to actual product.
Image performance specifications are based on test piece complying with GB 15208.2-2006.



Scan-X Security Limited

Unit 1, Westgate Trading Estate, Westgate, Aldridge WS9 8EX.

T: 01922 455 222 F: 0121 275 6048 E: sales@scanxsecurity.com www.scanxsecurity.com